

DOOR GLASS KIT INSTALLATION INSTRUCTIONS

3 Easy Steps to Safely and Quickly Install or Replace Your Western Reflections Door Glass

Tools/Accessories Required:

- Gloves
- Putty Knife
- Paint Thinner
- Dry Wall Screw (size optional)
- Phillips Head Screw Driver
- Safety Glasses

Optional:

- Power Screw Driver with Phillips Head Bit

1

Removing Old Door Glass (Inner Frame)

A) After locating the tools and accessories listed above have yourself and a partner stand on either side of the door glass to be replaced or newly installed; one person on the inside of the door and the second person on the outside of the door.

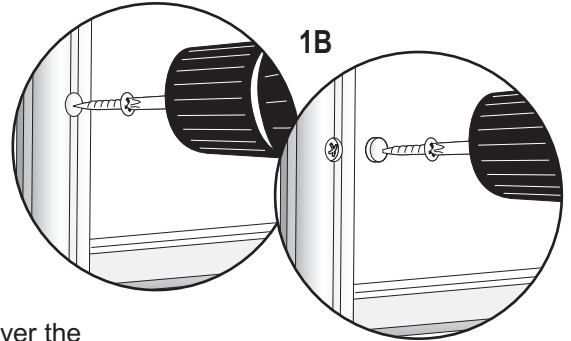
Note: Always wear protective gear (safety glasses, gloves) during the installation procedure.

B) Some manufacturers like Western Reflections use screw hole plugs to cover the screws. If the unit you are replacing does not have exposed screw heads please follow this step. Using the Phillips Head Screw Driver (Power Screw Driver preferred) drive the dry wall screw into the screw plug located over the screw heads on inside frame. The force from the screw will easily remove the screw plug thereby exposing the screw head that attaches both frame halves. See Illus. 1B

C) After removing all remaining screw plugs use the Phillips Head Screw Driver (Power Screw Driver preferred) to remove all exposed screws to loosen the inner frame. See Illus. 1C

CAUTION: When removing the screws from the inner frame, the partner must support the glass/frame from the outside to prevent the door glass from falling out.

D) Using the putty knife, slip the edge of the knife between a top corner of the inside frame and door. Slowly pry the inner frame loose from the door. See Illus. 1D



2

Removing Old Door Glass (Outer Frame)

A) Exchange positions with your partner to remove outer frame. Again using the putty knife, slip the edge of the knife between a top corner of the frame and door and slowly pry the outer frame loose from the door. See Illus. 2A

Note: The outer frame will take a little more time and effort to remove due to the caulk adhering to the door and frame.

CAUTION: When removing the outer frame, the partner should apply slight pressure to the glass from the inside to assist with the safe removal of the glass and frame.

All Western Reflections door glass is glazed with tempered glass that meets CPSC 16, CPR 1201 and ANSI Z97.1 standards. If too much pressure is applied, glass may break, but will break into small pieces rather than large shards, similar to what may occur with a car windshield when broken.

B) After the Door Glass has been safely removed and stored in a safe location, begin removing any excess caulk that may still be adhering to the door. This can be accomplished using a small amount of paint thinner with a clean damp cloth or manually peeling the caulk off by hand. See Illus. 2B

Note: If paint thinner is used to clean the door, use a clean damp cloth to clean the door afterwards to prevent contamination of the new door glass kit.



3 Installing New Door Glass Kit

KEY NOTE: Outer frame contains no holes and should be installed on exterior of door, Inner Frame will have screw holes and should be installed on the interior of door.

A) Remove packaging materials from the new glass. Disassemble the inner and outer frames by removing any/or all screws. See Illus. 3A

B) Lay inner frame on a flat surface and preset all the screws. See Illus. 3B

C) Place Outer Frame and Glass in door opening by placing the lower portion of the frame and glass on the lower edge of the opening. Slowly raise and center the frame and glass into the opening. See Illus. 3C

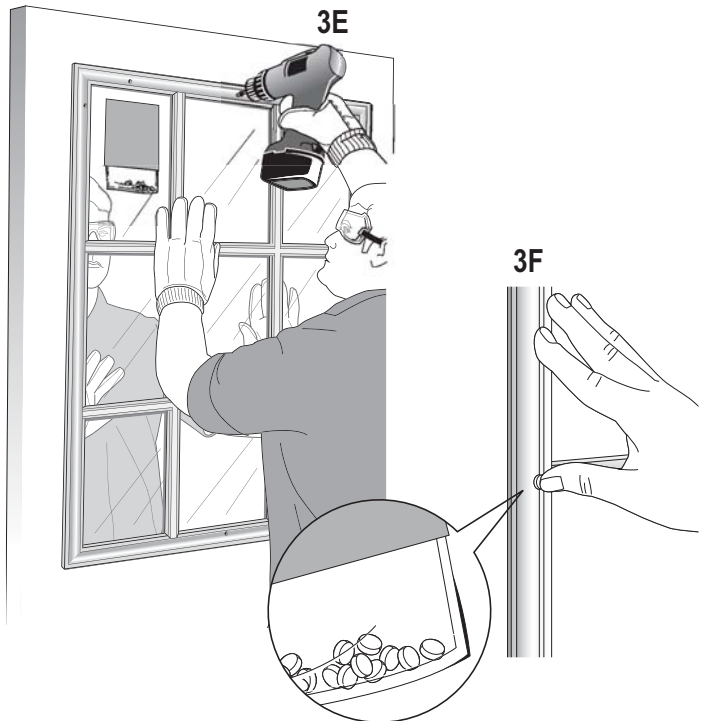
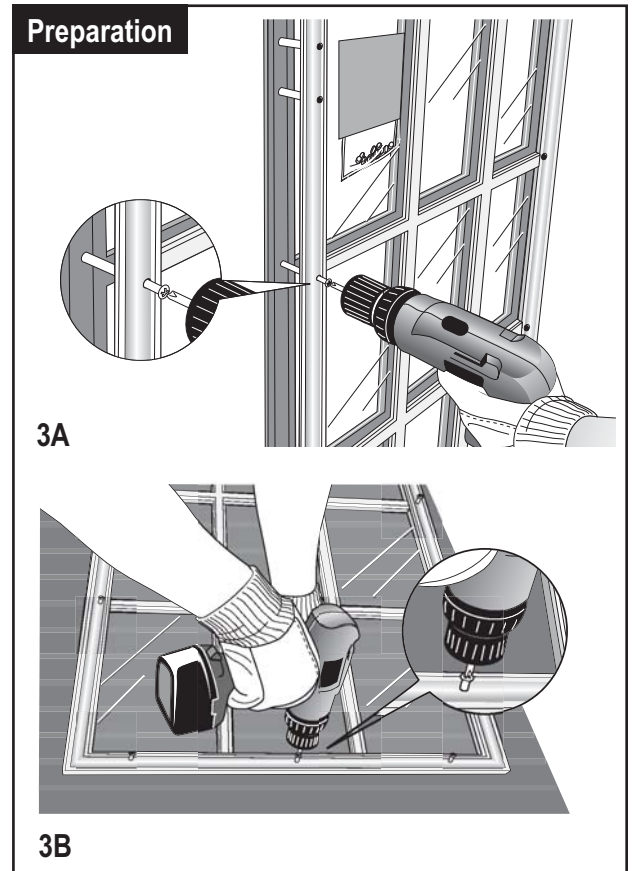
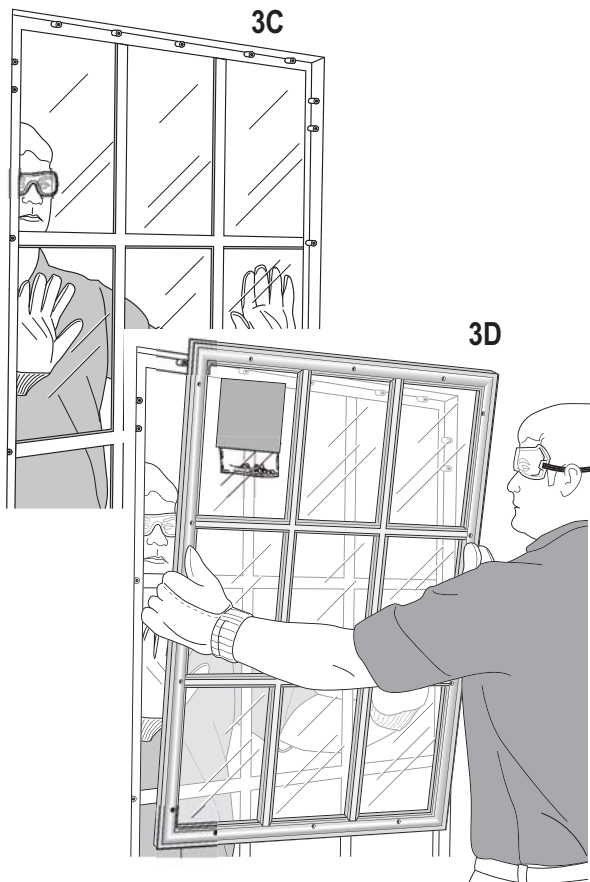
CAUTION: Your partner should be on the opposite side of the door to support the glass and frame during installation.

D) Your partner should then locate the inner frame and position in the opening using press fit alignment pins located on the frame. See Illus. 3D

E) Begin screwing the 2 frame halves together with Phillips Head Screw Driver (Power Screw Driver preferred). See Illus. 3E

KEY NOTE: If Power Screw Driver is used, set the torque setting to the lowest setting to prevent excess pressure on frame and possible damage. After all screws have been seated, use Phillips Head Screw driver to manually tighten all screws.

CAUTION: DO NOT OVER TIGHTEN



Complete finishing instructions are provided on the label attached to the door glass. Please read this **BEFORE** removing this label and the screw plugs from the face of the glass.

F) Peel off bag of screw hole plugs from glass and insert a plug over all exposed screw heads to complete a finished look. See Illus. 3F

G) Clean glass as desired to complete the installation of your new door glass kit.